

FARMALL® 75N / FARMALL® 85N / FARMALL® 95N / FARMALL® 105N / FARMALL® 105V

Tier 3

FARMALL® 75N with cab PIN Z8JF19102 - ZCJF10907; FARMALL® 75N with cab PIN ZCJF06107 and above;
FARMALL® 75N without cab PIN Z9JF01865 - ZCJF07697; FARMALL® 75N without cab PIN ZCJF07813 and above;
FARMALL® 85N with cab PIN Z8JF17086 - ZCJF09425; FARMALL® 85N with cab PIN ZCJF08828 and above;
FARMALL® 85N without cab PIN Z9JF01936 - ZCJF10868; FARMALL® 85N without cab PIN ZCJF16077 and above;
FARMALL® 95N with cab PIN Z9JF00469 - ZCJF10732; FARMALL® 95N with cab PIN ZCJF13045 and above;
FARMALL® 95N without cab PIN Z9JF01090 - ZCJF05141; FARMALL® 95N without cab PIN ZCJF15989 and above;
FARMALL® 105N with cab PIN ZBJF20417 and above; FARMALL® 105N without cab PIN ZCJF16900 and above;
FARMALL® 105V with cab PIN ZBJF20562 and above; FARMALL® 105V without cab PIN ZDJF09419 and above

Tractor

SERVICE MANUAL

Part number 47888397

1st edition English

July 2016

CASE II
AGRICULTURE



SERVICE MANUAL

Farmall® 105N With cab [ZBJF20417 -], Farmall® 105N Without cab [ZCJF16900 -], Farmall® 105V With Cab [ZBJF20562 -], Farmall® 105V Without cab [ZDJF09419 -], Farmall® 75N With cab - Model Year 2012 [ZCJF06107 -], Farmall® 75N With cab [Z8JF19102 - ZCJF10907], Farmall® 75N Without cab [Z9JF01865 - ZCJF07697], Farmall® 75N Without cab - Model Year 2012 [ZCJF07813 -], Farmall® 85N With cab - Model Year 2012 [ZCJF08828 -], Farmall® 85N With cab [Z8JF17086 - ZCJF09425], Farmall® 85N Without cab - Model Year 2012 [ZCJF16077 -], Farmall® 85N Without cab [Z9JF01936 - ZCJF10868], Farmall® 95N With cab - Model Year 2012 [ZCJF13045 -], Farmall® 95N With cab [Z9JF00469 - ZCJF10732], Farmall® 95N Without cab - Model Year 2012 [ZCJF15989 -], Farmall® 95N Without cab [Z9JF01090 - ZCJF05141]

<https://caseinsertivemanual.com>

Link Product / Engine

Product	Market Product	Engine
Farmall® 105N With cab [ZBJF20417 -]	North America	F4CE9484
Farmall® 105N Without cab [ZCJF16900 -]	North America	F4CE9484
Farmall® 75N With cab [Z8JF19102 - ZCJF10907]	North America	F5AE9484B
Farmall® 75N Without cab [Z9JF01865 - ZCJF07697]	North America	F5AE9484B
Farmall® 75N With cab - Model Year 2012 [ZCJF06107 -]	North America	F5AE9484B
Farmall® 75N Without cab - Model Year 2012 [ZCJF07813 -]	North America	F5AE9484B
Farmall® 85N With cab [Z8JF17086 - ZCJF09425]	North America	F5AE9484G
Farmall® 85N Without cab [Z9JF01936 - ZCJF10868]	North America	F5AE9484G
Farmall® 85N With cab - Model Year 2012 [ZCJF08828 -]	North America	F5AE9484G
Farmall® 85N Without cab - Model Year 2012 [ZCJF16077 -]	North America	F5AE9484G
Farmall® 95N With cab [Z9JF00469 - ZCJF10732]	North America	F4CE9484
Farmall® 95N Without cab [Z9JF01090 - ZCJF05141]	North America	F4CE9484
Farmall® 95N With cab - Model Year 2012 [ZCJF13045 -]	North America	F4CE9484
Farmall® 95N Without cab - Model Year 2012 [ZCJF15989 -]	North America	F4CE9484
Farmall® 105V With Cab [ZBJF20562 -]	North America	F4CE9484
Farmall® 105V Without cab [ZDJF09419 -]	North America	F4CE9484

Contents

INTRODUCTION

Engine.....	10
[10.001] Engine and crankcase	10.1
Clutch	18
[18.100] Clutch mechanical release control	18.1
[18.104] Clutch hydraulic release control.....	18.2
[18.110] Clutch and components	18.3
Transmission.....	21
[21.114] Mechanical transmission	21.1
[21.130] Mechanical transmission external controls.....	21.2
[21.140] Mechanical transmission internal components.....	21.3
[21.112] Power shuttle transmission.....	21.4
[21.134] Power shuttle transmission external controls	21.5
[21.154] Power shuttle transmission internal components	21.6
[21.145] Gearbox internal components.....	21.7
[21.160] Creeper	21.8
[21.162] Reverser	21.9
[21.168] Hi-Lo unit.....	21.10
[21.182] Differential.....	21.11
Four-Wheel Drive (4WD) system	23
[23.202] Electro-hydraulic control	23.1
[23.304] Four-Wheel Drive (4WD) gearbox	23.2
[23.314] Drive shaft.....	23.3
Front axle system	25
[25.100] Powered front axle	25.1
[25.102] Front bevel gear set and differential	25.2

[25.108] Final drive hub, steering knuckles, and shafts	25.3
[25.122] Axle suspension control	25.4
[25.310] Final drives	25.5
[25.400] Non-powered front axle	25.6
Rear axle system.....	27
[27.100] Powered rear axle.....	27.1
[27.106] Rear bevel gear set and differential	27.2
[27.120] Planetary and final drives	27.3
[27.126] Spur gear and final drives	27.4
Power Take-Off (PTO).....	31
[31.101] Rear mechanical control	31.1
Brakes and controls	33
[33.202] Hydraulic service brakes	33.1
[33.110] Parking brake or parking lock	33.2
[33.220] Trailer brake hydraulic control.....	33.3
Hydraulic systems.....	35
[35.000] Hydraulic systems.....	35.1
[35.300] Reservoir, cooler, and filters.....	35.2
[35.104] Fixed displacement pump	35.3
[35.204] Remote control valves	35.4
[35.600] High flow hydraulics	35.5
[35.100] Main lift system.....	35.6
[35.114] Three-point hitch control valve	35.7
[35.116] Three-point hitch cylinder	35.8
Hitches, drawbars, and implement couplings.....	37
[37.110] Rear three-point hitch	37.1
[37.108] Rear three-point hitch external controls	37.2
Steering.....	41

[41.101] Steering control	41.1
[41.200] Hydraulic control components.....	41.2
Wheels	44
[44.511] Front wheels.....	44.1
Cab climate control	50
[50.100] Heating	50.1
[50.104] Ventilation	50.2
[50.200] Air conditioning.....	50.3
Electrical systems	55
[55.000] Electrical system	55.1
[55.100] Harnesses and connectors.....	55.2
[55.201] Engine starting system	55.3
[55.301] Alternator.....	55.4
[55.302] Battery.....	55.5
[55.202] Cold start aid	55.6
[55.640] Electronic modules	55.7
[55.051] Cab Heating, Ventilation, and Air-Conditioning (HVAC) controls.....	55.8
[55.050] Heating, Ventilation, and Air-Conditioning (HVAC) control system.....	55.9
[55.047] Steering control system	55.10
[55.523] Cab hitch controls	55.11
[55.130] Rear three-point hitch electronic control system	55.12
[55.404] External lighting	55.13
[55.514] Cab lighting	55.14
[55.511] Light harnesses	55.15
[55.408] Warning indicators, alarms, and instruments	55.16
[55.DTC] FAULT CODES.....	55.17
Platform, cab, bodywork, and decals.....	90
[90.110] Operator platform less cab	90.1

[90.114] Operator protections 90.2
[90.150] Cab 90.3
[90.151] Cab interior 90.4
[90.154] Cab doors and hatches 90.5
[90.100] Engine hood and panels 90.6
[90.102] Engine shields, hood latches, and trims 90.7
[90.160] Cab interior trim and panels 90.8

<https://caseihservicemanual.com>



INTRODUCTION

<https://caseih.servicemanual.com>

Contents

INTRODUCTION

Advice Important notice	3
Note to the Owner WARNINGS FOR AIR CONDITIONING SYSTEM REPAIR OPERATIONS (*)	4
Safety rules SAFETY REGULATIONS	5
Personal safety CAB AIR CONDITIONING SYSTEM (*)	8
Basic instructions	9
Consumables	11

<https://caseihservicemanual.com>

(*) See content for specific models

Advice Important notice

All maintenance and repair work described in this manual must be performed exclusively by CASE IH service technicians, in strict accordance with the instructions given and using any specific tools necessary. Anyone performing the operations described herein without strictly following the instructions is personally responsible for any eventual injury or damage to property.

<https://caseihservicemanual.com>

Note to the Owner WARNINGS FOR AIR CONDITIONING SYSTEM REPAIR OPERATIONS

Farmall® 105N With cab [ZBJF20417 -]	NA
Farmall® 105V With Cab [ZBJF20562 -]	NA
Farmall® 75N With cab - Model Year 2012 [ZCJF06107 -]	NA
Farmall® 75N With cab [Z8JF19102 - ZCJF10907]	NA
Farmall® 85N With cab - Model Year 2012 [ZCJF08828 -]	NA
Farmall® 85N With cab [Z8JF17086 - ZCJF09425]	NA
Farmall® 95N With cab - Model Year 2012 [ZCJF13045 -]	NA
Farmall® 95N With cab [Z9JF00469 - ZCJF10732]	NA

Starting the system at low temperatures can damage the compressor. Only operate the air conditioner when the engine is hot and the temperature inside the cab is at least **20 °C (68.00 °F)**.

When disconnecting the hoses, close the ends with plastic caps to prevent foreign matter and humidity from getting inside the hoses.

Handle the thermostatic sensor carefully to avoid damage that may prevent efficient system operation.

Always use two spanners to unscrew the hose fittings to avoid twisting the fitting.

Do not use any type of engine oil to lubricate the compressor and the system.

Never leave the compressor oil container open, always make sure that it is tightly closed. If left exposed the oil will absorb humidity from the air and may, subsequently, damage the system.

Do not transfer compressor oil from the original container to another container.

Do not introduce any additives to the compressor oil. Any additional substances could contain elements which are incompatible with the chemical base of the refrigerant and thus alter its characteristics.

Check that the thermostatic sensor is correctly inserted in the fins on the evaporator to ensure efficient system operation.

<https://caseih.servicemanual.com>

Safety rules SAFETY REGULATIONS

TO PREVENT ACCIDENTS

Most accidents or injuries that occur in workshops are the result of non-observance of simple and fundamental safety regulations.

For this reason, IN MOST CASES THESE ACCIDENTS CAN BE AVOIDED: by foreseeing possible causes and consequently acting with the necessary caution and care.

Accidents may occur with all types of vehicle, regardless of how well it was designed and built.

A careful and judicious service technician is the best guarantee against accidents.

Precise observance of the most basic safety rule is normally sufficient to avoid many serious accidents.

DANGER: Never carry out any cleaning, lubrication or maintenance operations when the engine is running.

GENERAL

- Carefully follow specified repair and maintenance procedures.
- Do not wear rings, wristwatches, jewellery, unbuttoned or loose articles of clothing such as: ties, torn clothing, scarves, open jackets or shirts with open zips that may remain entangled in moving parts.
It is advised to wear approved safety clothing, e.g: non-slip footwear, gloves, safety goggles, helmets, etc.
- Do not carry out repair operations with someone sitting in the driver's seat, unless the person is a trained technician who is assisting with the operation in question.
- Operate the vehicle and use the implements exclusively from the driver's seat.
- Do not carry out operations on the vehicle with the engine running, unless specifically indicated.
- Stop the engine and ensure that all pressure is relieved from hydraulic circuits before removing caps, covers, valves, etc.
- All repair and maintenance operations must be carried out using extreme care and attention.
- Service steps and platforms used in a workshop or in the field should be built in compliance with the safety rules in force.
- Disconnect the batteries and label all controls to indicate that the vehicle is being serviced. Block the machine and all equipment which should be raised.
- Do not check or fill fuel tanks, accumulator batteries, nor use starting liquid when smoking or near naked flames, as these fluids are inflammable.
- Brakes are inoperative if manually released for repair or maintenance purposes.
In such cases, the machine should be kept constantly under control using blocks or similar devices.
- The fuel nozzle should always be in contact with the filling aperture. Maintain this position until filling operations are completed in order to avoid possible sparks caused by the accumulation of static electricity.
- Only use specified towing points for towing the tractor, connect parts carefully. Make sure that all pins and/or locks are secured in position before applying traction.
Never remain near the towing bars, cables or chains that are operating under load
- Transport vehicles that cannot be driven using a trailer or a low-loading platform trolley, if available.
- When loading or unloading the vehicle from the trailer (or other means of transport), select a flat area capable of sustaining the trailer or truck wheels, firmly secure the tractor to the truck or trailer and lock the wheels in the position.
- Electric heaters, battery-chargers and similar equipment must only be powered by auxiliary power supplies with efficient ground insulation to avoid electrical shock hazards.
- Always use suitable hoisting or lifting devices when raising or moving heavy parts.
- Take extra care if bystanders are present.
- Never pour gasoline or diesel oil into open, wide and low containers.
- Never use gasoline, diesel oil or other inflammable liquids as cleaning agents. Use non-flammable non-toxic proprietary solvents.
- Wear safety goggles with side guards when cleaning parts with compressed air.
- Limit the air pressure to a maximum of **2.1 bar (30.5 psi)**, according to local regulations.

INTRODUCTION

- Do not run the engine in confined spaces without suitable ventilation.
- Do not smoke, use naked flames, or cause sparks in the area when fuel filling or handling highly inflammable liquids.
- Never use naked flames for lighting when working on the machine or checking for leaks.
- All movements must be carried out carefully when working under, on or near the vehicle and wear protective equipment: helmets, goggles and special footwear.
- When carrying out checks with the engine running, request the assistance of an operator in the driver's seat. The operator must maintain visual contact with the service technician at all times.
- If operating outside the workshop, position the vehicle on a flat surface and lock in position. If working on a slope, lock the vehicle in position and move to a flat area as soon as is safely possible.
- Damaged or bent chains or cables are unreliable. Do not use them for lifting or towing. Always use suitable protective gloves when handling chains or cables.
- Chains should always be safely secured. Ensure that fastening device is strong enough to hold the load foreseen. No persons should stop near the fastening point, trailing chains or cables.
- Maintenance and repair operations must be carried out in a CLEAN and DRY area, eliminate any water or oil spillage immediately.
- Do not create piles of oil or grease--soaked rags as they represent a serious fire hazard, store them in a closed metal container.
Before starting the vehicle or implements, make sure that the driver's seat is locked in position and always check that the area is free of persons or obstacles.
- Empty pockets of all objects that may fall unobserved into the vehicle parts when disassembled.
- In the presence of protruding metal parts, use protective goggles or goggles with side guards, helmets, special footwear and gloves.
- Handle all parts carefully, do not put your hands or fingers between moving parts, wear suitable safety clothing -- safety goggles, gloves and shoes.

WELDING OPERATIONS

- When welding, use protective safety devices: tinted safety goggles, helmets, special overalls, gloves and footwear. All persons present in the area where welding is taking place must wear tinted goggles. NEVER LOOK AT THE WELDING ARC IF YOUR EYES ARE NOT SUITABLY PROTECTED.
- Where possible, remove the part or tool that requires arc welding from the tractor.
- Disconnect both battery leads. Isolate the cable ends to avoid contact with each other and the tractor.
- Position the welder ground clamp as near as possible to the area where welding is taking place.
- Remove the electronic control units located on the tractor if welding is to be carried out near these control units.
- Never allow welding cables to lay on, near or across any electrical wiring or electronic component while welding is in progress.
- Metal cables tend to fray with repeated use. Always use suitable protective devices (gloves, goggles, etc.) when handling cables.

START UP

- Never start the engine in confined spaces that are not equipped with adequate ventilation for exhaust gas extraction.
- Never place the head, body, limbs, feet, hands or fingers near fans or rotating belts.

ENGINE

- Always loosen the radiator cap slowly before removing it to allow any remaining pressure in the system to be discharged. Coolant should be topped up only when the engine is stopped or idle if hot.
- Never fill up with fuel when the engine is running, especially if hot, in order to prevent the outbreak of fire as a result of fuel spillage
- Never check or adjust fan belt tension when the engine is running.
Never adjust the fuel injection pump when the vehicle is moving.

- Never lubricate the vehicle when the engine is running.

ELECTRICAL SYSTEMS

- If it is necessary to use auxiliary batteries, remember that both ends of the cables must be connected as follows: (+) with (+) and (-) with (-).
- Avoid short-circuiting the terminals. GAS RELEASED FROM BATTERIES IS HIGHLY INFLAMMABLE.
- During charging, leave the battery compartment uncovered to improve ventilation.
- Never check the battery charge using "jumpers" (metal objects placed on the terminals).
- Avoid sparks or flames near the battery zone to prevent explosion hazards.
- Before servicing operations, check for fuel or current leaks. Eliminate any eventual leaks before starting work.
- Never charge batteries in confined spaces. Make sure that there is adequate ventilation in order to prevent accidental explosion hazards as a result of the accumulation of gases released during charging operations.
- Always disconnect the battery before performing any kind of servicing on the electrical system.

HYDRAULIC SYSTEMS

- Some fluid slowly coming out from a very small port can be almost invisible and be strong enough to penetrate the skin. Check for leaks using a piece of cardboard, NEVER USE HANDS.
- If any liquid penetrates skin tissue, call for medical aid immediately
- Serious skin infections may result if medical attention is not given.
- Use the specific tools when checking pressure values on the hydraulic system.

WHEELS AND TYRES

- Check that the tyres are correctly inflated at the pressure specified by the manufacturer. Periodically check possible damages to the rims and tyres.
- Stand away from (at the side of) the tire when checking inflation pressure.
- Only check pressure when the vehicle is unloaded and the tires are cold, to avoid incorrect readings as a result of over--pressure.
- Do not re--use parts of recovered wheels as incorrect welding or brazing may heat the material, causing it to weaken and eventually damage or break the wheel.
- Never cut, nor weld a rim with the inflated tyre assembled.
- When removing the wheels, lock both the front and rear vehicle wheels.
- Always position support stands when raising the vehicle, in order to conform to current safety regulations.
- Deflate the tyre before removing any object caught into the tyre tread.
- Never inflate tires using inflammable gases; this could cause an explosion and put operator safety at risk.

REMOVAL AND RE-FITTING

- Lift and handle all heavy parts using suitable lifting equipment and make sure that all slings and hooks are correctly secured.
- Handle all parts carefully during lifting operations, keep an eye on the personnel working near the load to be lifted. Never insert hands or fingers between parts, always wear approved accident prevention clothing (goggles, gloves and work boots).
- Avoid twisting chains or metal cables and always wear safety gloves when handling cables or chains.

Personal safety CAB AIR CONDITIONING SYSTEM

Farmall® 105N With cab [ZBJF20417 -]	NA
Farmall® 105V With Cab [ZBJF20562 -]	NA
Farmall® 75N With cab - Model Year 2012 [ZCJF06107 -]	NA
Farmall® 75N With cab [Z8JF19102 - ZCJF10907]	NA
Farmall® 85N With cab - Model Year 2012 [ZCJF08828 -]	NA
Farmall® 85N With cab [Z8JF17086 - ZCJF09425]	NA
Farmall® 95N With cab - Model Year 2012 [ZCJF13045 -]	NA
Farmall® 95N With cab [Z9JF00469 - ZCJF10732]	NA

SAFETY REGULATIONS

- The refrigerant must be handled with great care in order to avoid personal injury; always use safety goggles and gloves.
- Liquid refrigerant can cause freezing of the skin and serious damage to the eyes, sometimes resulting in permanent blindness.
- Keep the refrigerant container away from heat sources. Heat will cause an increase in pressure of the refrigerant and could cause the container to explode.
- If refrigerant comes into contact with a naked flame or a hot metal surface it produces a toxic gas, which is dangerous if inhaled.
- In order to avoid accidents follow the simple precautions described below.
- The operation of emptying and charging the system must be carried out in a well-ventilated area, well away from any naked flames.
- During the charging and emptying operations, take the necessary precautions to protect the face and above all the eyes from accidental contact with refrigerant.
- In the event of an accident, proceed as follows:
 - if refrigerant splashes into the eyes, wash immediately with a few drops of mineral oil, then wash them thoroughly with a solution of boric acid and water (one spoonful of acid in 1/4 cup of water) and seek medical assistance immediately.
 - freezing of the skin caused by contact with liquid refrigerant may be treated by gradually warming the injured area with cold water, followed by the application of a greasy cream. Request medical assistance.
 - the air conditioning system contains a mixture of refrigerant and oil under high pressure; under no circumstances loosen pipe fittings/unions or work on the pipes without having first drained the system.
 - do not loosen or remove the compressor oil level check cap with the system pressurized.
 - do not heat the refrigerant container. If the temperature exceeds **50 °C (122.00 °F)** the pressure will increase very rapidly.
 - keep the air conditioning system away from heat sources to prevent explosions as a result of an increase in pressure in the system piping.
- When transferring refrigerant from one container to another, only use homologated liquid refrigerant containers equipped with safety valves.
- Never fill liquid refrigerant containers over **80 % (80.0 %)** of their maximum capacity.
- Do not modify the settings of safety valves and the control devices.
- Never connect the recovery/recycling and evacuation/charging stations to electrical power outlets with voltages other than those specified; do not leave the stations powered up unless they are to be used immediately.

Basic instructions

Battery

Before carrying out any kind of service operation disconnect and isolate the battery negative lead, unless otherwise requested for specific operations (e.g: operations that require the engine running). Once the specific operation has been completed, disconnect the lead in order to complete the operation.

Shimming

For each adjustment operation, select adjusting shims and measure individually using a micrometer, then add up the recorder values: Do not rely on measuring the entire shimming set, which may be incorrect, or the rated value indicated for each on shim.

Rotating shaft seals

For correct rotating shaft seal installation, proceed as follows:

- Before assembly, allow the seal to soak in the oil it will be sealing for at least thirty minutes.
- Thoroughly clean the shaft and check that the working surface on the shaft is not damaged.
- Position the sealing lip facing the fluid; with hydrodynamic lips, take into consideration the shaft rotation direction and position the grooves so that they will deviate the fluid towards the inner side of the seal.
- Smear the sealing lip with a thin layer of lubricant (use oil rather than grease) and fill the gap between the sealing lip and the dust lip on double lip seals with grease.
- Insert the seal in its seat and press down using a flat punch; do not tap the seal with a hammer or mallet.
- Whilst inserting the seal, check that it is perpendicular to the seat, once settled, make sure that it makes contact with the thrust element, if required.
- To prevent damaging the seal lip on the shaft, position a protective guard during installation operations.

O-ring seals

Lubricate the O-ring seals before inserting them in the seats, this will prevent them from overturning and twisting, which would jeopardise sealing efficiency.

Sealing compounds

Apply one of the following sealing compounds on the mating surfaces marked with an X: **LOCTITE® 518™** , **LOCTITE® 5205**.

Before applying the sealing compound, prepare the surfaces as follows:

- Remove any incrustations using a wire brush.
- Thoroughly de-grease the surfaces using one of the following cleaning agents: trichlorethylene, petrol or a water and soda solution.

Bearings

When installing bearings it is advised to:

- Heat the bearings to **80 - 90 °C** before fitting on the shafts.
- Allow the bearings to cool before installing them from the outside.

Spring pins

When fitting split socket elastic pins, ensure that the pin notch is positioned in the direction of the force required to stress the pin.

Spiral spring pins do not require special positioning.

Spare parts

Use genuine parts only.

Only genuine spare parts guarantee the same quality, duration and safety as they are the same parts that are assembled during production.

Only genuine parts can offer this guarantee.

When ordering spare parts, always provide the following information:

- Tractor model (commercial name) and frame number.
- Engine type and number.
- Part number of the ordered part, which can be found in the "Spare Parts Catalogue" used for order processing.

Notes for equipment

The tools that CASE IH propose and illustrate in this manual are:

- Specifically researched and designed for use with CASE IH vehicles.
- Necessary to make reliable repair.
- Accurately built and strictly tested to offer efficient and long-lasting working means

By using these tools, repair personnel will benefit from:

- Operating in optimal technical conditions.
- Obtaining the best results.
- Saving time and effort;
- Working in safe conditions.

Important notes

Wear limit values indicated for certain parts are recommended, but not binding. The terms "front", "rear", "right-hand" and "left-hand" (when referred to different parts) are intended as seen from the driving position with the tractor in the normal direction of movement.

Moving the tractor with the battery removed

External power supply cables should only be connected to the respective positive and negative cable terminals, using efficient clamps that guarantee adequate and secure contact.

Disconnect all services (lights, windshield wipers, etc.) before starting the vehicle.

If the vehicle electrical system requires checking, carry out operations with the power supply connected; Once checking is completed, disconnect all services and switch off the power supply before disconnecting the cables.

<https://caseihservicemanual.com>

Consumables

Tractor refuelling

COMPONENT TO BE FILLED OR TOPPED UP	QUANTITY dm ³ (litres)	RECOMMENDED CASE IH PRODUCT	CASE IH SPECIFICATION	INTERNATIONAL SPECIFICATION
Cooling system: less cab with cab	10 12	Water and CASE IH AKCELA PREMIUM ANTI-FREEZE	MS1710	-
Washer fluid reservoir	2	Water and cleaning fluid	-	-
Fuel tank: - 65V, 75V, 75N, 85V, and 85N - 95V and 95N	57 77	Decanted, filtered diesel fuel	-	-
Engine oil sump: - 65V, 75V, 75N, 85V, and 85N - 95V and 95N	8,5 9,5	CASE IH AKCELA NO. 1™ ENGINE OIL	MS 1121	API CI4 / API CH-4 ACEA E7/E5 SAE 15W40 SAE 10W30
Brake circuit With front brakes	0,5 0,7	CASE IH AKCELA LHM FLUID oil	-	ISO 7308
Standard front axle axle housing: with brake without brake - final drives (each):	4 4 0,6	CASE IH AKCELA GEAR 135 H EP 80W-90 oil	MS 1316	MIL-L-2105D SAE 80W90
Rear transmission (bevel drive, final drives and brakes), gearbox, hydraulic lift, PTO and hydraulic steering:	44	CASE IH AKCELA NEXPLORE™ FLUID oil	MAT 3525	-
Grease fittings	-	CASE IH AKCELA 251H EP MULTI-PURPOSE GREASE	251H EP	NLGI 2

<https://caseihservicemanual.com>



SERVICE MANUAL

Engine

Farmall® 105N With cab [ZBJF20417 -], Farmall® 105N Without cab [ZCJF16900 -], Farmall® 105V With Cab [ZBJF20562 -], Farmall® 105V Without cab [ZDJF09419 -], Farmall® 75N With cab - Model Year 2012 [ZCJF06107 -], Farmall® 75N With cab [Z8JF19102 - ZCJF10907], Farmall® 75N Without cab [Z9JF01865 - ZCJF07697], Farmall® 75N Without cab - Model Year 2012 [ZCJF07813 -], Farmall® 85N With cab - Model Year 2012 [ZCJF08828 -], Farmall® 85N With cab [Z8JF07086 - ZCJF09425], Farmall® 85N Without cab - Model Year 2012 [ZCJF16077 -], Farmall® 85N Without cab [Z9JF01936 - ZCJF10868], Farmall® 95N With cab - Model Year 2012 [ZCJF13045 -], Farmall® 95N With cab [Z9JF00469 - ZCJF10732], Farmall® 95N Without cab - Model Year 2012 [ZCJF15989 -], Farmall® 95N Without cab [Z9JF01090 - ZCJF05141]

<https://caseih.com/manual>

Contents

Engine - 10

[10.001] Engine and crankcase	10.1
-------------------------------------	------

<https://caseihservicemanual.com>



Engine - 10

Engine and crankcase - 001

<https://caseih.servicemanual.com>

Farmall® 105N With cab [ZBJF20417 -], Farmall® 105N Without cab [ZCJF16900 -], Farmall® 105V With Cab [ZBJF20562 -], Farmall® 105V Without cab [ZDJF09419 -], Farmall® 75N With cab - Model Year 2012 [ZCJF06107 -], Farmall® 75N With cab [Z8JF19102 - ZCJF10907], Farmall® 75N Without cab [Z9JF01865 - ZCJF07697], Farmall® 75N Without cab - Model Year 2012 [ZCJF07813 -], Farmall® 85N With cab - Model Year 2012 [ZCJF08828 -], Farmall® 85N With cab [Z8JF17086 - ZCJF09425], Farmall® 85N Without cab - Model Year 2012 [ZCJF16077 -], Farmall® 85N Without cab [Z9JF01936 - ZCJF10868], Farmall® 95N With cab - Model Year 2012 [ZCJF13045 -], Farmall® 95N With cab [Z9JF00469 - ZCJF10732], Farmall® 95N Without cab - Model Year 2012 [ZCJF15989 -], Farmall® 95N Without cab [Z9JF01090 - ZCJF05141]

Contents

Engine - 10

Engine and crankcase - 001

SERVICE

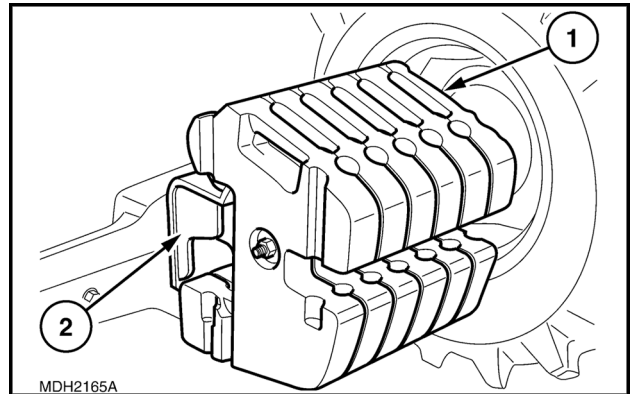
Engine

Remove	3
Install	7

<https://caseihservicemanual.com>

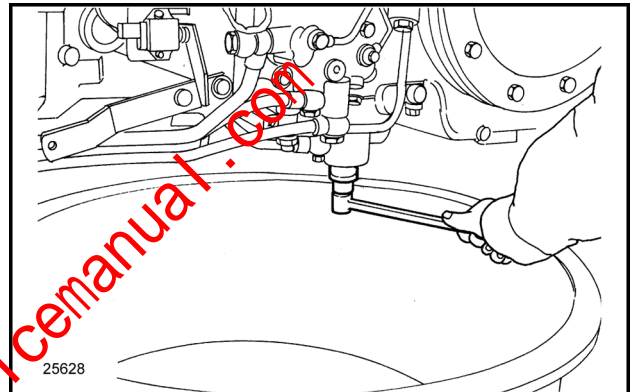
Engine - Remove

1. Remove the cab as described in operation "**Cab - Remove (90.150)**".
2. Extract the fixing pin and remove the ballast **(1)** ; unscrew the retaining screws and retrieve the ballast support **(2)** .



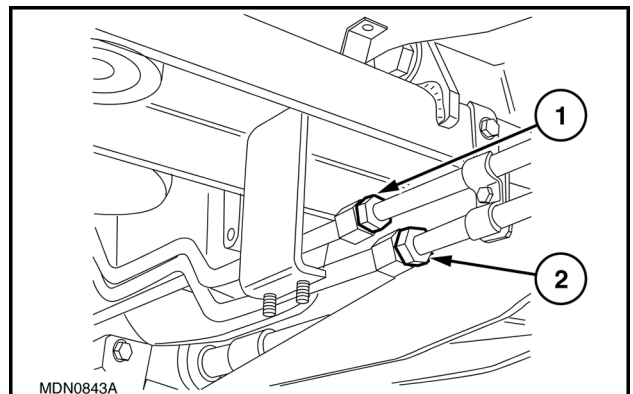
WLSPVNS10C1-10A 1

3. Carry out operation in: **Drive shaft - Disassemble (21.145)**, propeller shafts and guard, only removal.
4. Unscrew the plug and drain the front transmission casing (prescribed quantity: **44 l (11.62 US gal)**).



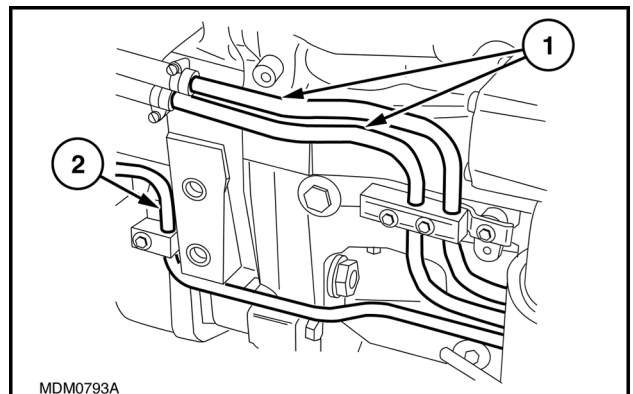
WLSPVNS10C1-11A 2

5. Disconnect the pipes (**(1)** and **(2)**) of the transmission oil cooler and of the front axle differential lock.



WLSPVNS10C1-12A 3

6. Disconnect: the transmission oil cooler pipes **(1)** and the front axle differential lock pipe **(2)** .



WLSPVNS10C1-13A 4

<https://caseih.servicemanual.com/>